

OVAL STANDARD LOCK

CARABINER

Ref. 0981

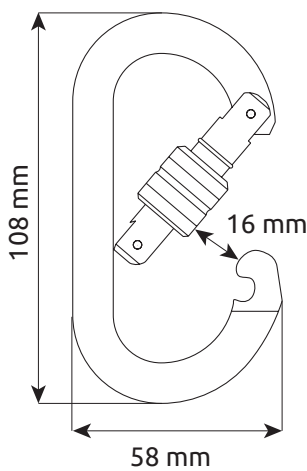
GENERAL, CONSTRUCTION

Simple and versatile steel oval carabiner for basic fall arrest and positioning applications.
Screw gate locking system.

Zinc plated
carbon steel
body and gate

Anodized
aluminium alloy
screw

CE marking
including individual
serial number



Ref.	Product name	Weight										EAC	<i>ANSI</i>	
		g	oz	kN	kN	kN	kN	mm	mm	mm	EN 362		Z359.12	Z259.12
0981	OVAL STANDARD LOCK	165	5.8	28	7	10		16	108	58	EN 362		Z359.12	Z259.12