

Ref. 3130xxx

GENERAL, CONSTRUCTION, TOWERS/INDUSTRY, ROPE ACCESS, SELF RESCUE, TEAM RESCUE

Compact and robust 20 mm polyester webbing loops. Many certifications make them very versatile:

- EN 795/B and TS 16415 two persons anchoring device, with possibility of installation with double passage or girth hitch;
- ANSI Z359.18 Type A anchorage connector;
- EN 354 connection lanyard;
- EN 566 mountaineering loop.

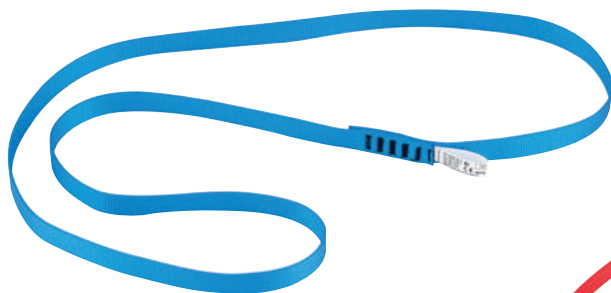
Color coded lengths: 60 cm orange, 80 cm blue, 120 cm green, 160 cm red.



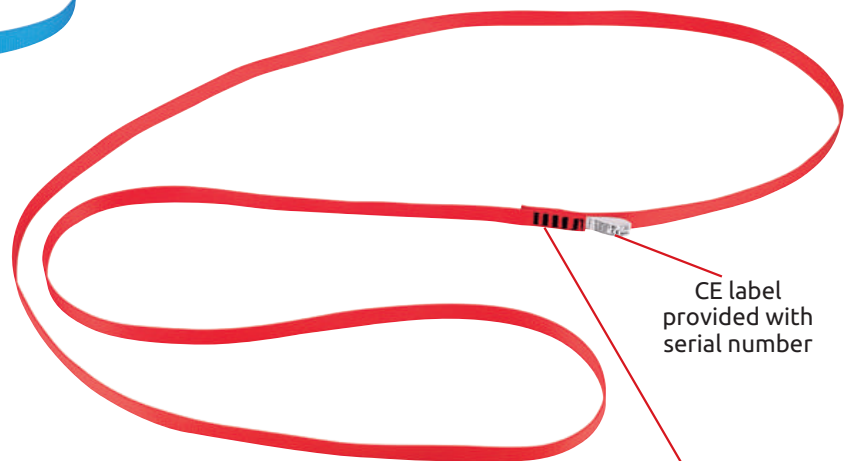
Ref.3130060 Orange



Ref.3130120 Green



Ref.3130080 Blue



Ref.3130160 Red

CE label provided with serial number

High strength polyester stitching

Ref.	Product name	Weight		Strength	CE			STANDARD	ANSI	EAC
		g	oz		kN	EN 354	EN 795/B			
3130060	EXPRESS SLING 60 cm	55	1.9	25	•	•	•	TS 16415	Z359.18	•
3130080	EXPRESS SLING 80 cm	75	2.6	25	•	•	•	•	•	•
3130120	EXPRESS SLING 120 cm	110	3.9	25	•	•	•	•	•	•
3130160	EXPRESS SLING 160 cm	140	4.9	25	•	•	•	•	•	•

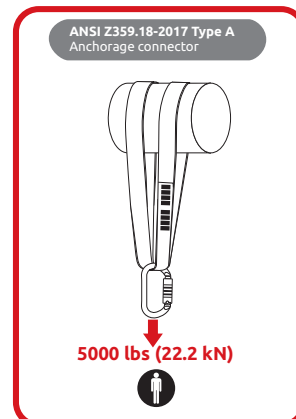
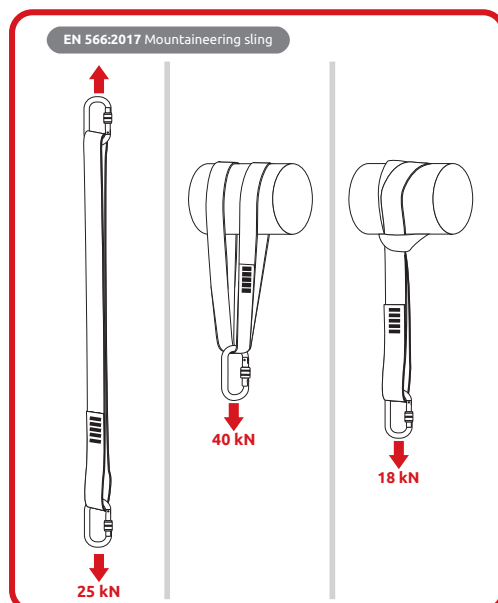
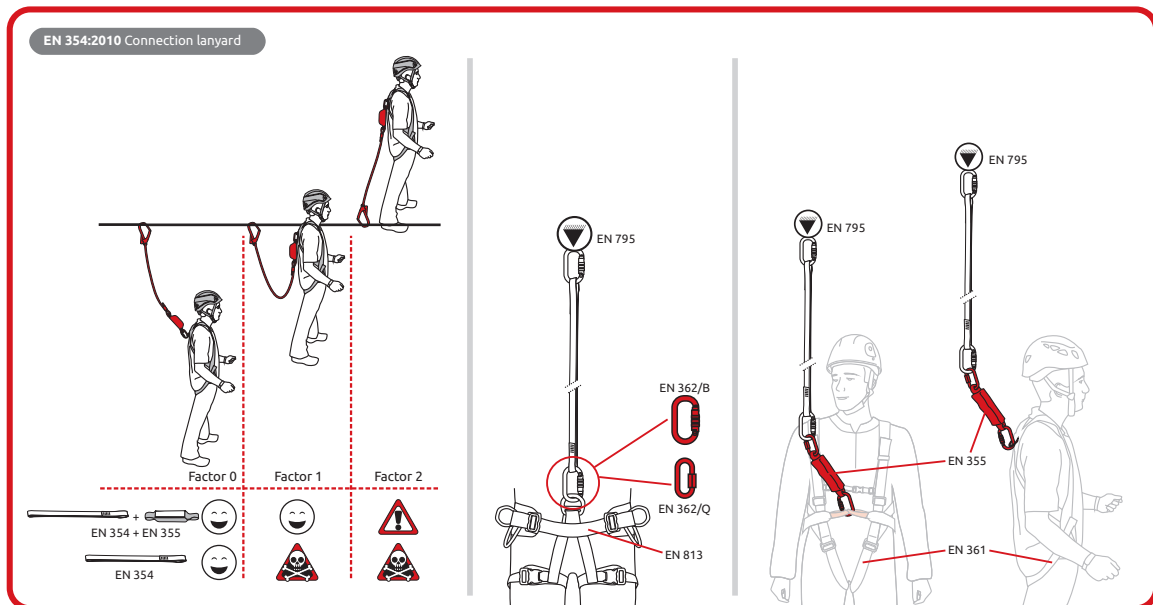
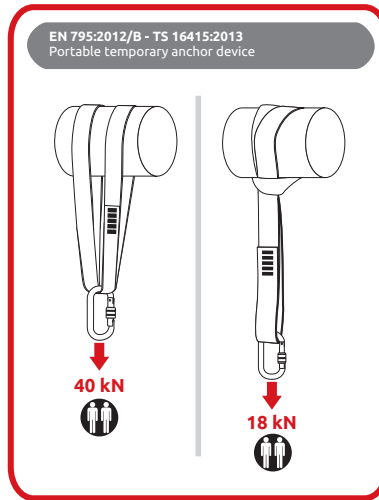
EXPRESS SLING

WEBBING LOOP

INTERNATIONAL CE+ANSI

Ref. 3130xxx

GENERAL, CONSTRUCTION, TOWERS/INDUSTRY, ROPE ACCESS, SELF RESCUE, TEAM RESCUE



Ref. 3130xxx

GENERAL, CONSTRUCTION, TOWERS/INDUSTRY, ROPE ACCESS, SELF RESCUE, TEAM RESCUE

Compact and robust 20 mm polyester webbing loops. Many certifications make them very versatile:

- EN 795/B and TS 16415 two persons anchoring device, with possibility of installation with double passage or girth hitch;
- ANSI Z359.18 Type A anchorage connector;
- EN 354 connection lanyard;
- EN 566 mountaineering loop.

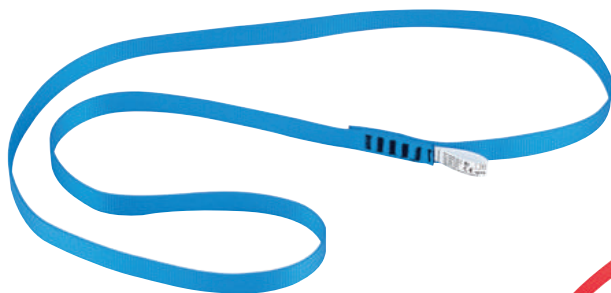
Color coded lengths: 60 cm orange, 80 cm blue, 120 cm green, 160 cm red.



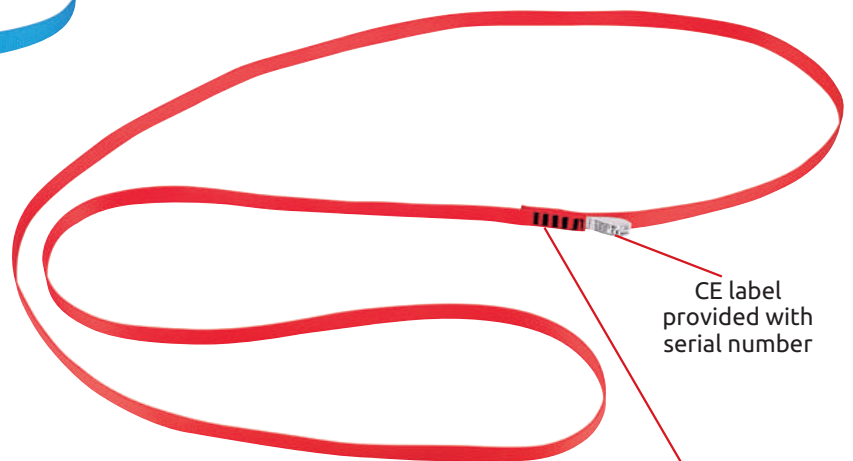
Ref.3130060 Orange



Ref.3130120 Green



Ref.3130080 Blue



Ref.3130160 Red

CE label provided with serial number

High strength polyester stitching

Ref.	Product name	Weight		Strength	CE			STANDARD	ANSI	EAC
		g	oz		kN	EN 354	EN 795/B			
3130060	EXPRESS SLING 60 cm	55	1.9	25	•	•	•	TS 16415	Z359.18	•
3130080	EXPRESS SLING 80 cm	75	2.6	25	•	•	•	•	•	•
3130120	EXPRESS SLING 120 cm	110	3.9	25	•	•	•	•	•	•
3130160	EXPRESS SLING 160 cm	140	4.9	25	•	•	•	•	•	•

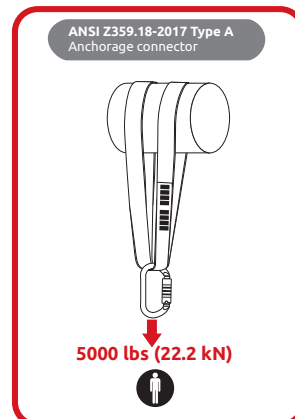
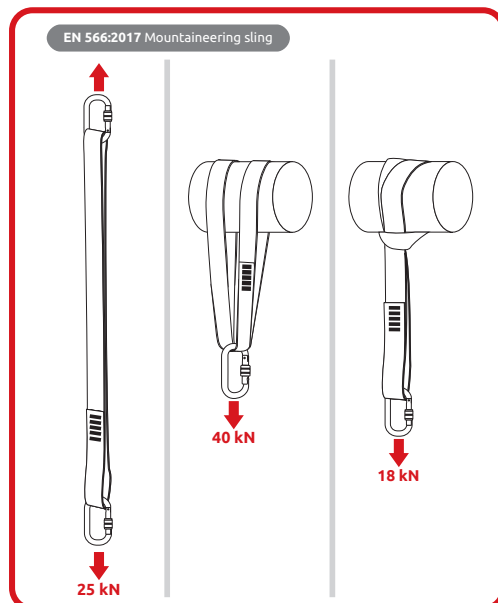
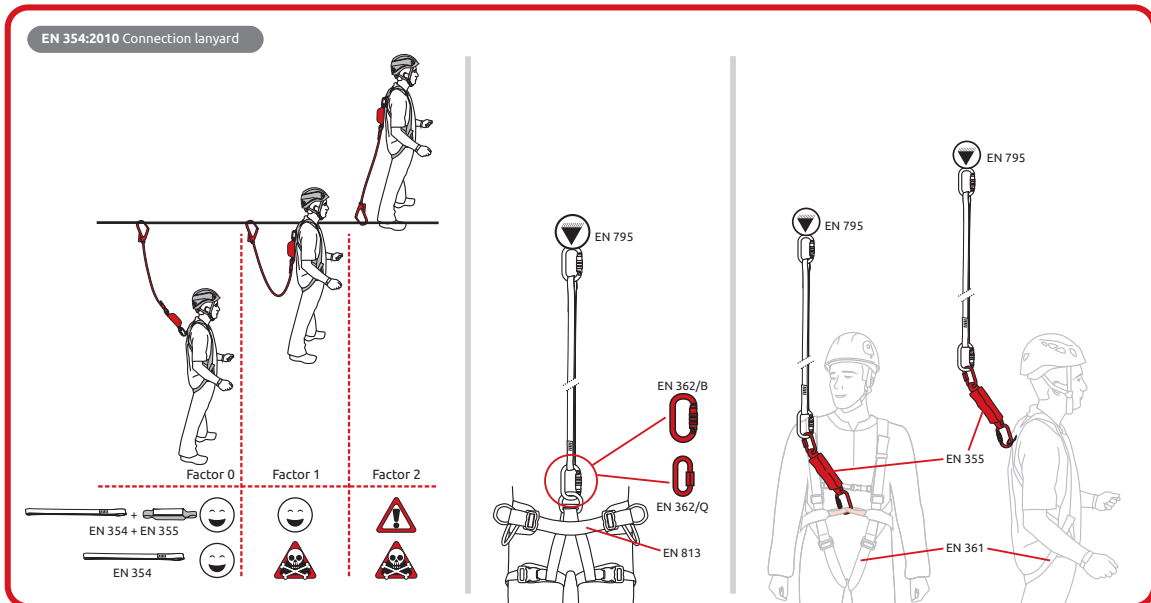
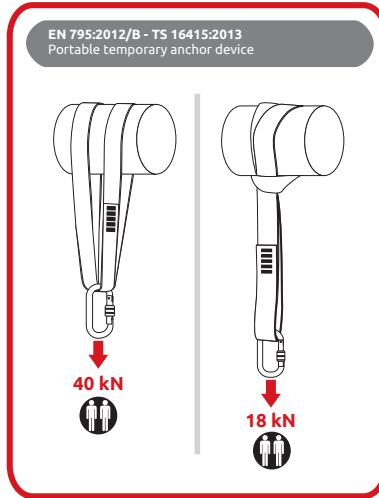
EXPRESS SLING

WEBBING LOOP

INTERNATIONAL CE+ANSI

Ref. 3130xxx

GENERAL, CONSTRUCTION, TOWERS/INDUSTRY, ROPE ACCESS, SELF RESCUE, TEAM RESCUE



Ref. 3130xxx

GENERAL, CONSTRUCTION, TOWERS/INDUSTRY, ROPE ACCESS, SELF RESCUE, TEAM RESCUE

Compact and robust 20 mm polyester webbing loops. Many certifications make them very versatile:

- EN 795/B and TS 16415 two persons anchoring device, with possibility of installation with double passage or girth hitch;
- ANSI Z359.18 Type A anchorage connector;
- EN 354 connection lanyard;
- EN 566 mountaineering loop.

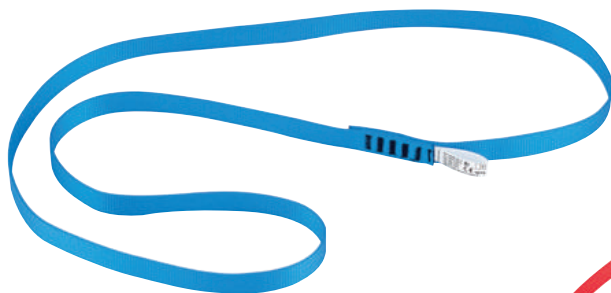
Color coded lengths: 60 cm orange, 80 cm blue, 120 cm green, 160 cm red.



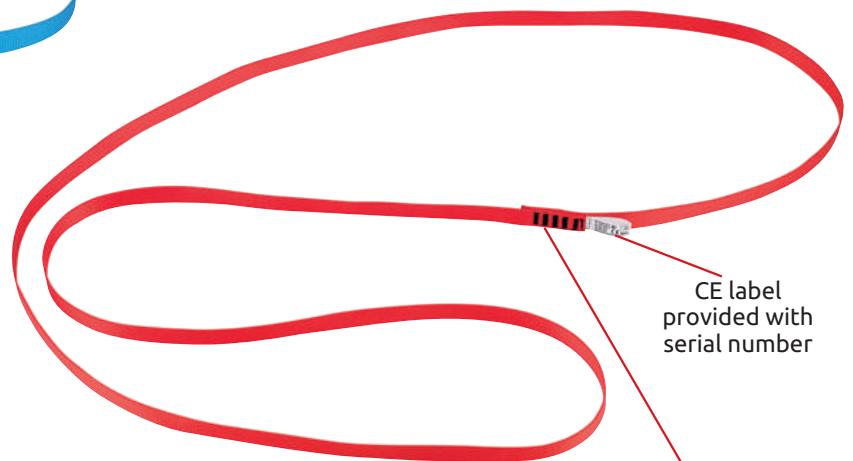
Ref.3130060 Orange



Ref.3130120 Green



Ref.3130080 Blue



Ref.3130160 Red

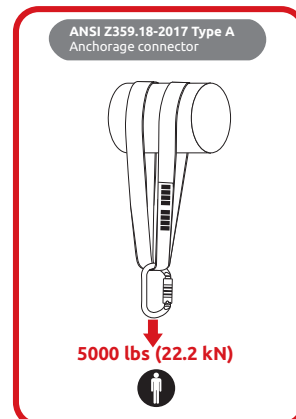
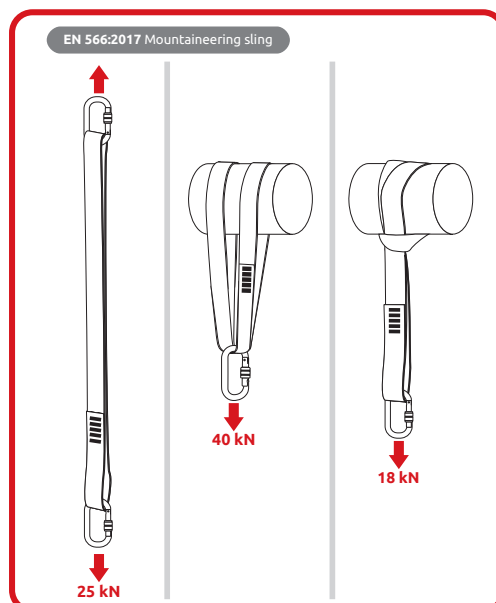
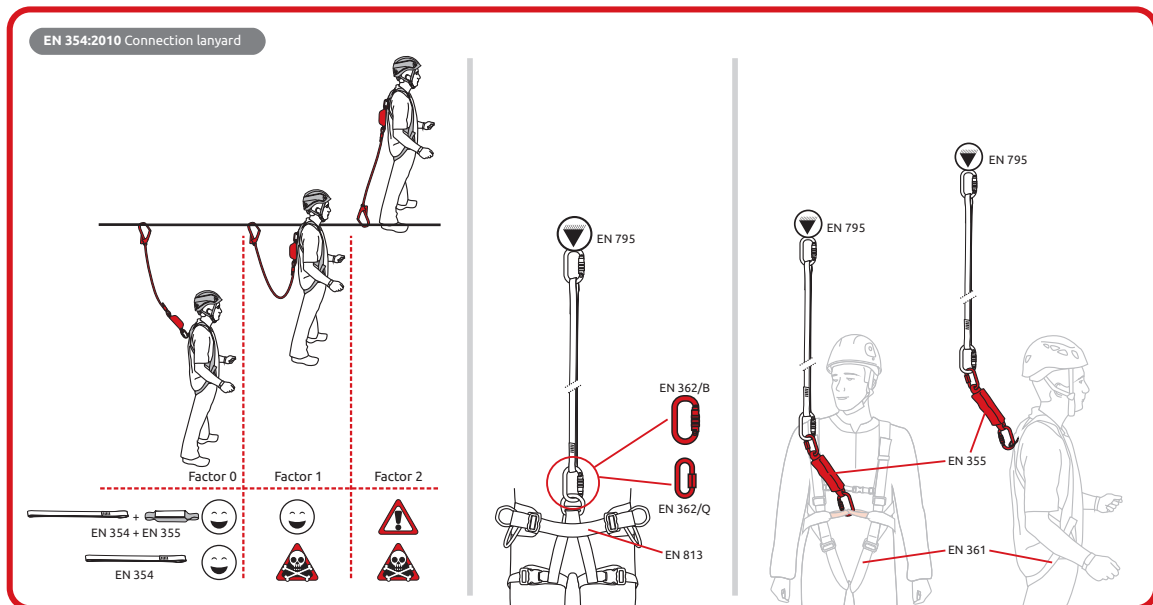
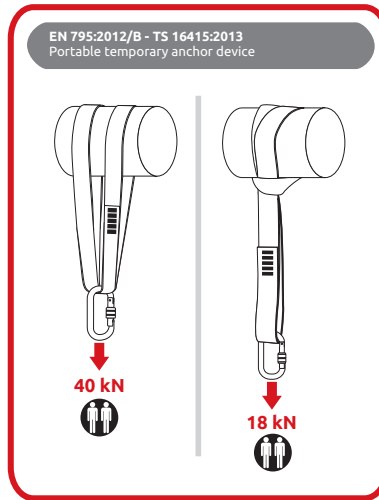
CE label provided with serial number

High strength polyester stitching

Ref.	Product name	Weight		Strength	CE			STANDARD	ANSI	EAC
		g	oz		kN	EN 354	EN 795/B			
3130060	EXPRESS SLING 60 cm	55	1.9	25	•	•	•	TS 16415	Z359.18	•
3130080	EXPRESS SLING 80 cm	75	2.6	25	•	•	•	•	•	•
3130120	EXPRESS SLING 120 cm	110	3.9	25	•	•	•	•	•	•
3130160	EXPRESS SLING 160 cm	140	4.9	25	•	•	•	•	•	•

Ref. 3130xxx

GENERAL, CONSTRUCTION, TOWERS/INDUSTRY, ROPE ACCESS, SELF RESCUE, TEAM RESCUE



Ref. 3130xxx

GENERAL, CONSTRUCTION, TOWERS/INDUSTRY, ROPE ACCESS, SELF RESCUE, TEAM RESCUE

Compact and robust 20 mm polyester webbing loops. Many certifications make them very versatile:

- EN 795/B and TS 16415 two persons anchoring device, with possibility of installation with double passage or girth hitch;
- ANSI Z359.18 Type A anchorage connector;
- EN 354 connection lanyard;
- EN 566 mountaineering loop.

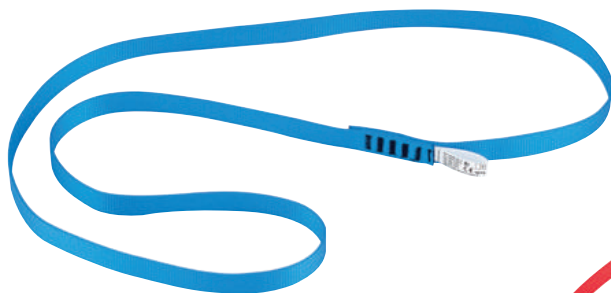
Color coded lengths: 60 cm orange, 80 cm blue, 120 cm green, 160 cm red.



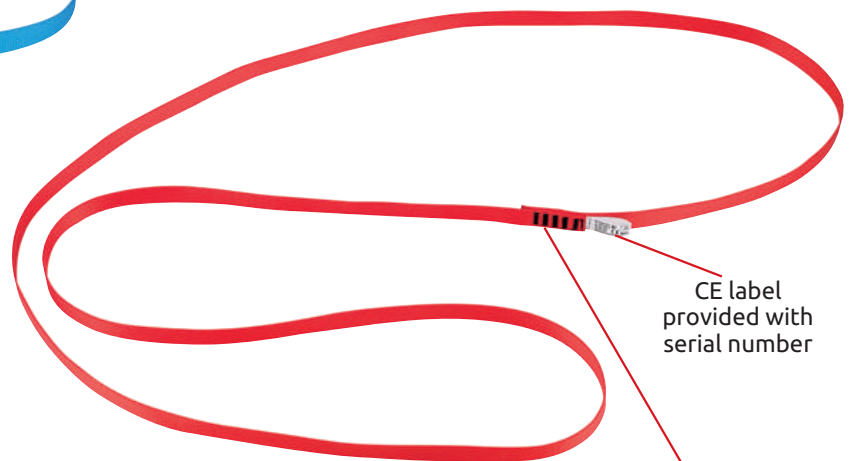
Ref.3130060 Orange



Ref.3130120 Green



Ref.3130080 Blue



Ref.3130160 Red

CE label provided with serial number

High strength polyester stitching

Ref.	Product name	Weight		Strength	CE			STANDARD	ANSI	EAC
		g	oz		kN	EN 354	EN 795/B			
3130060	EXPRESS SLING 60 cm	55	1.9	25	•	•	•	TS 16415	Z359.18	•
3130080	EXPRESS SLING 80 cm	75	2.6	25	•	•	•	•	•	•
3130120	EXPRESS SLING 120 cm	110	3.9	25	•	•	•	•	•	•
3130160	EXPRESS SLING 160 cm	140	4.9	25	•	•	•	•	•	•

EXPRESS SLING

WEBBING LOOP

INTERNATIONAL CE+ANSI

Ref. 3130xxx

GENERAL, CONSTRUCTION, TOWERS/INDUSTRY, ROPE ACCESS, SELF RESCUE, TEAM RESCUE

