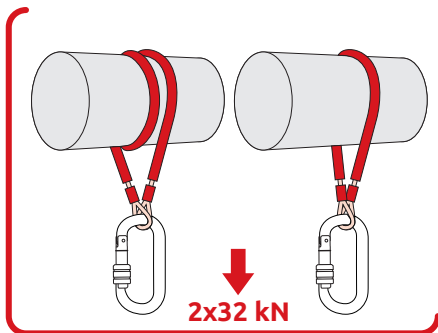
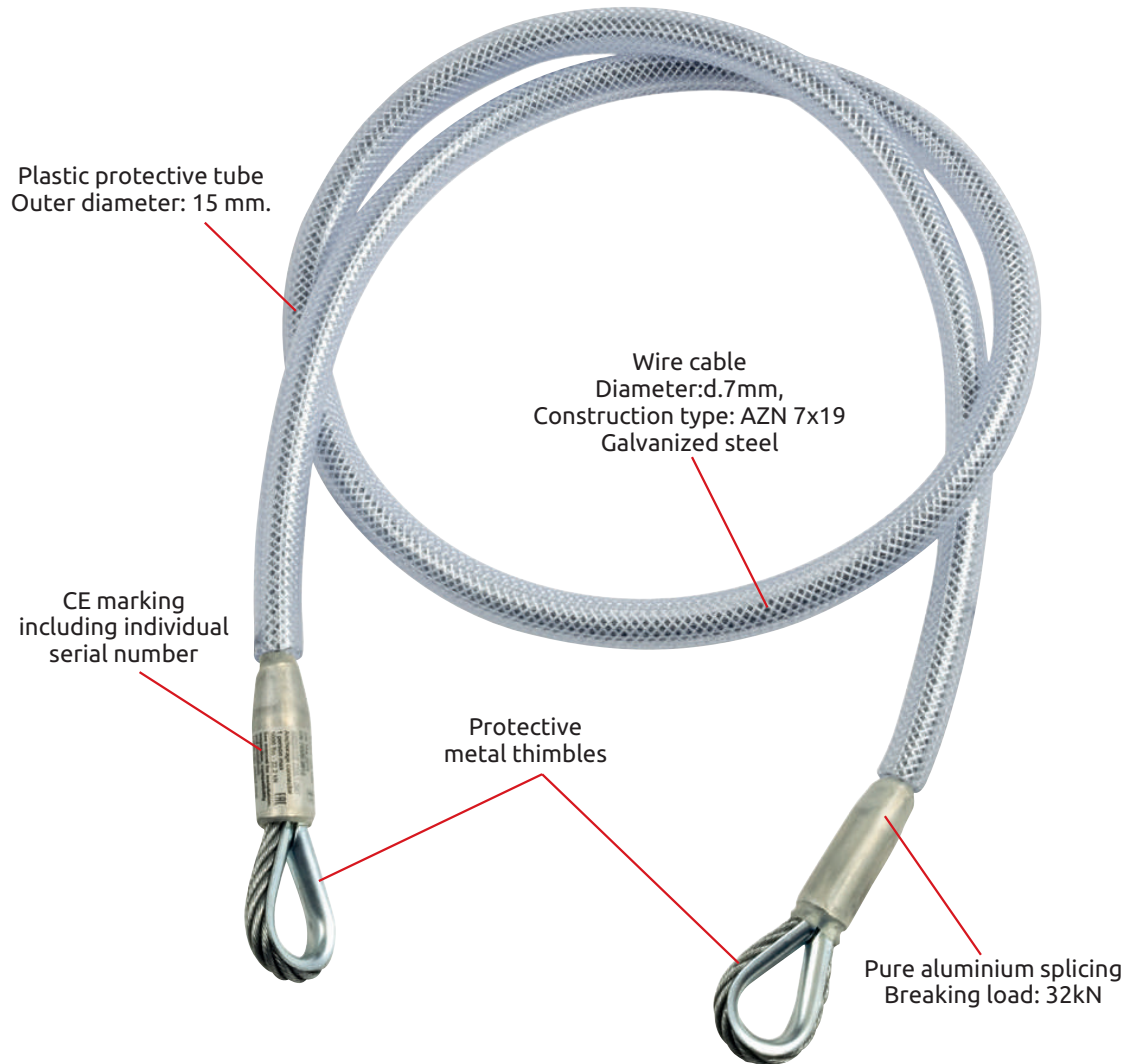


7 mm zinc-plated steel cables with eyelets at the ends protected with a 15 mm plastic tube to prevent damage to the cable strands.

Perfect for creating cut-resistant and anti-abrasion anchors. Can also be teamed with EN 355 certified energy absorbers to create anti-cut fall arrest lanyards.

- 2132050** 50 cm
- 2132100** 100 cm
- 2132150** 150 cm
- 2132200** 200 cm

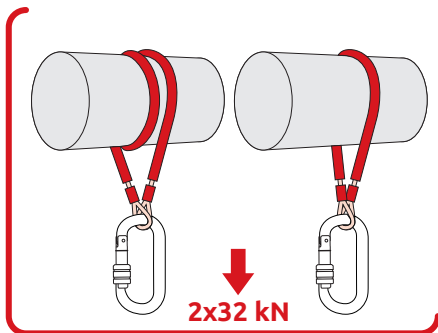
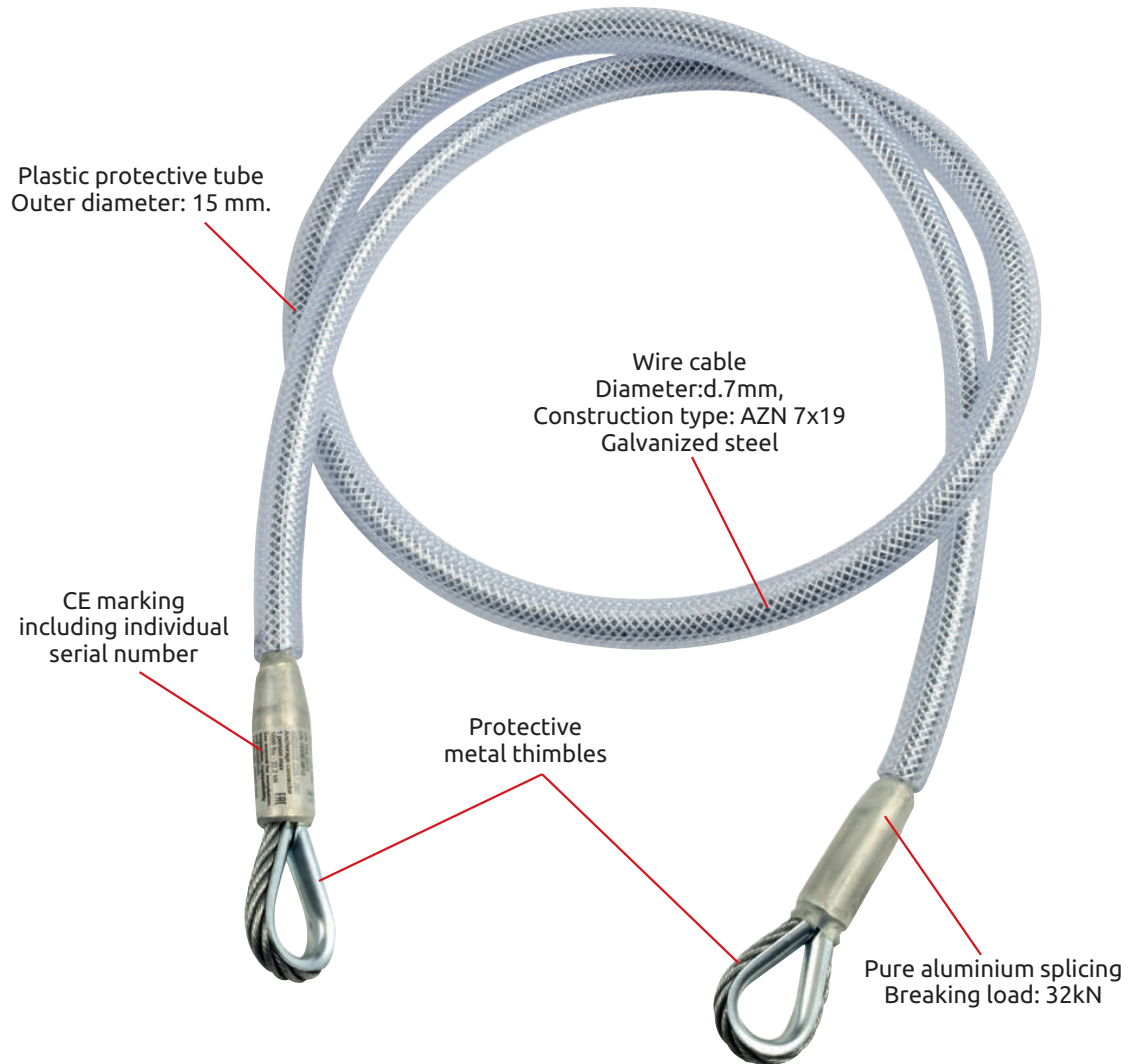


Ref.	Product name	Weight		Strength	CE		ANSI	EAC
		g	oz	kN	EN 354	EN 795/B	Z359.1	
2132050	ANCHOR CABLE 50 cm	240	8.5	32	•	•	•	•
2132100	ANCHOR CABLE 100 cm	410	14.5	32	•	•	•	•
2132150	ANCHOR CABLE 150 cm	580	20.5	32	•	•	•	•
2132200	ANCHOR CABLE 200 cm	750	26.5	32	•	•	•	•

7 mm zinc-plated steel cables with eyelets at the ends protected with a 15 mm plastic tube to prevent damage to the cable strands.

Perfect for creating cut-resistant and anti-abrasion anchors. Can also be teamed with EN 355 certified energy absorbers to create anti-cut fall arrest lanyards.

- 2132050** 50 cm
- 2132100** 100 cm
- 2132150** 150 cm
- 2132200** 200 cm



Ref.	Product name	Weight		Strength	CE		ANSI	EAC
		g	oz	kN	EN 354	EN 795/B	Z359.1	
2132050	ANCHOR CABLE 50 cm	240	8.5	32	•	•	•	•
2132100	ANCHOR CABLE 100 cm	410	14.5	32	•	•	•	•
2132150	ANCHOR CABLE 150 cm	580	20.5	32	•	•	•	•
2132200	ANCHOR CABLE 200 cm	750	26.5	32	•	•	•	•

7 mm zinc-plated steel cables with eyelets at the ends protected with a 15 mm plastic tube to prevent damage to the cable strands.

Perfect for creating cut-resistant and anti-abrasion anchors. Can also be teamed with EN 355 certified energy absorbers to create anti-cut fall arrest lanyards.

- 2132050** 50 cm
- 2132100** 100 cm
- 2132150** 150 cm
- 2132200** 200 cm

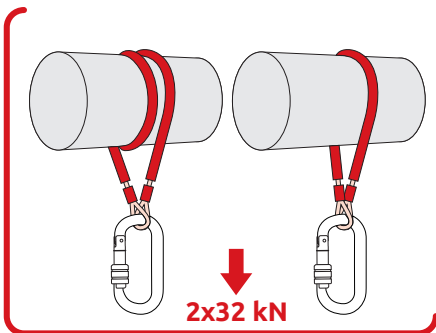
Plastic protective tube
Outer diameter: 15 mm.

Wire cable
Diameter: d.7mm,
Construction type: AZN 7x19
Galvanized steel

CE marking
including individual
serial number

Protective
metal thimbles

Pure aluminium splicing
Breaking load: 32kN



Ref.	Product name	Weight		Strength	CE		ANSI	EAC
		g	oz		EN 354	EN 795/B		
2132050	ANCHOR CABLE 50 cm	240	8.5	32	•	•	•	•
2132100	ANCHOR CABLE 100 cm	410	14.5	32	•	•	•	•
2132150	ANCHOR CABLE 150 cm	580	20.5	32	•	•	•	•
2132200	ANCHOR CABLE 200 cm	750	26.5	32	•	•	•	•

7 mm zinc-plated steel cables with eyelets at the ends protected with a 15 mm plastic tube to prevent damage to the cable strands.

Perfect for creating cut-resistant and anti-abrasion anchors. Can also be teamed with EN 355 certified energy absorbers to create anti-cut fall arrest lanyards.

- 2132050** 50 cm
- 2132100** 100 cm
- 2132150** 150 cm
- 2132200** 200 cm

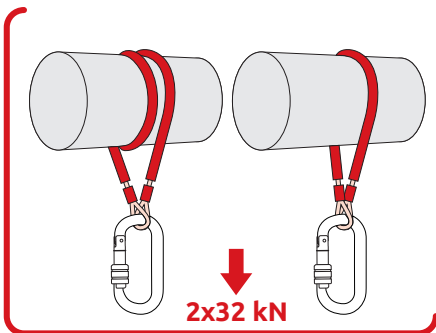
Plastic protective tube
Outer diameter: 15 mm.

Wire cable
Diameter: d.7mm,
Construction type: AZN 7x19
Galvanized steel

CE marking
including individual
serial number

Protective
metal thimbles

Pure aluminium splicing
Breaking load: 32kN



Ref.	Product name	Weight		Strength	CE		ANSI	EAC
		g	oz		EN 354	EN 795/B		
2132050	ANCHOR CABLE 50 cm	240	8.5	32	•	•	•	•
2132100	ANCHOR CABLE 100 cm	410	14.5	32	•	•	•	•
2132150	ANCHOR CABLE 150 cm	580	20.5	32	•	•	•	•
2132200	ANCHOR CABLE 200 cm	750	26.5	32	•	•	•	•